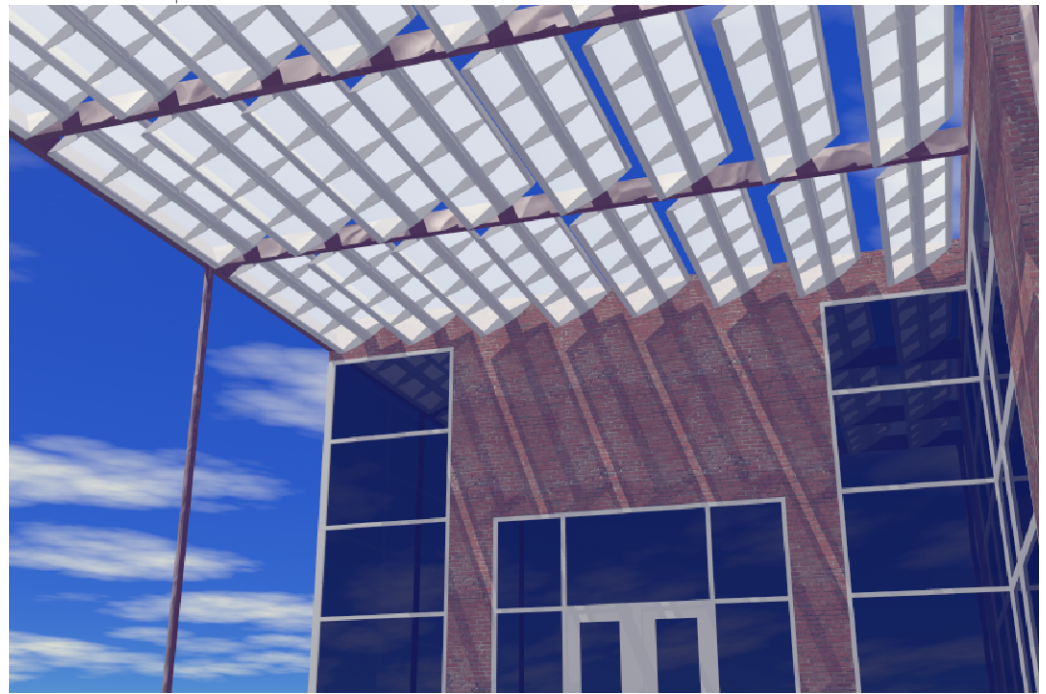


SPACING PER  
PROJECT REQUIREMENTS

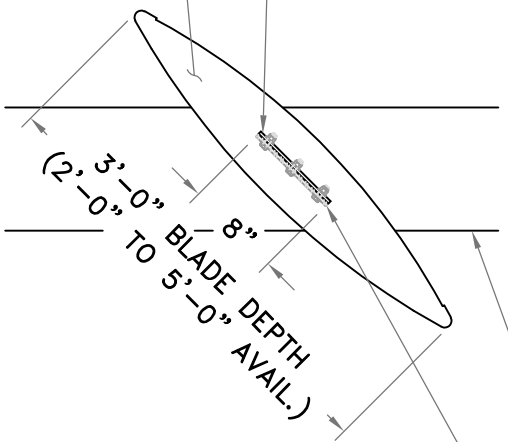


4'-0" TO 24'-0" AVAILABLE

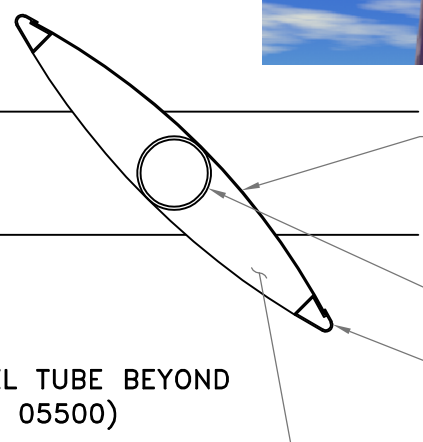
**1** PLAN VIEW  
3/4" = 1'-0"

ASCA BLADE  
END CAP

SUNSHADE ANCHOR TAB  
SHOP ATTACHED TO END CAP



**A** SECTION VIEW  
3/4" = 1'-0"



BLADE SKIN ON TOP ONLY  
(PERFORATED SHOWN, SOLID IS AVAILABLE)

6"Ø ROUND SUPPORT TUBE

ASCA COMPOSITE AIRFOIL  
BLADE NOSING

STEEL TUBE BEYOND  
(SEE 05500)

STEEL ANCHOR TAB  
(SEE 05500)

BLADE FRAMES  
(3'-0" O.C. MAX)

**B** SECTION VIEW  
3/4" = 1'-0"



3 MARKET SQUARE  
PORTSMOUTH, NH 03801 USA  
TEL: (603) 433-6700  
FAX: (603) 433-3349  
INFO@ASCA-DESIGN.COM

MODEL NO:  
TR-2758

PROJECT / CLIENT:

DATE:

PM: